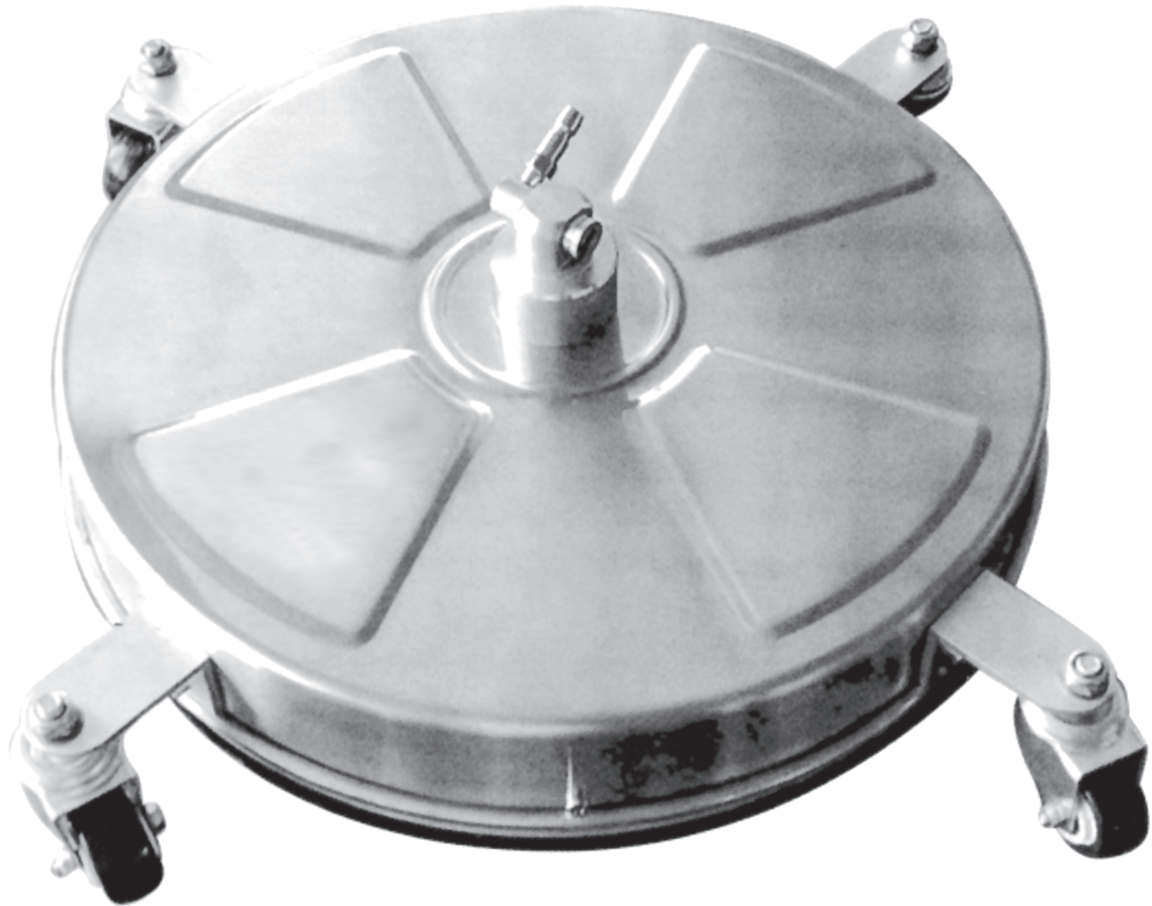


# PROFESSIONAL 18 INCH SURFACE CLEANER



## OPERATING INSTRUCTION

### CAUTION

**RISK OF INJURY! READ MANUAL BEFORE OPERATING!  
THIS MANUAL IS AN IMPORTANT PART OF THE CLEANER AND MUST  
REMAIN WITH THE UNIT WHEN YOU SELL OR RENT IT!**

# TABLE OF CONTENTS

INTRODUCTION.....	2
SPECIFICATIONS .....	3
<b>IMPORTANT SAFETY INFORMATION .....</b>	<b>3-5</b>
WORK AREA SAFETY.....	4
PERSONAL SAFETY .....	4
CLEANER USE AND CARE .....	5
SPECIFIC OPERATION WARNINGS .....	5
PACKAGE LIST.....	6
<b>PREPARATION &amp; OPERATION.....</b>	<b>6-7</b>
SET-UP.....	6
SURFACE PREPARATION .....	6
START-UP.....	7
SHUT-DOWN.....	7
AFTER EACH USE.....	7
NOZZLE CLEANING .....	8
NOZZLE REPLACEMENT .....	8
TROUBLESHOOTING .....	9

## INTRODUCTION

Congratulations on the purchase of your new Rotary Surface Cleaner! You can be assured this Cleaner was constructed and designed with quality and performance in mind. Each component has been rigorously tested to ensure the high level of acceptance.

This surface cleaner is designed for high-pressure cleaning of a variety of outdoor surfaces such as concrete, asphalt, paving stone walkways pool decks etc. Simply connect the rotary surface cleaner to your pressure washer, pull the trigger and walk behind for fast and efficient cleaning!

## SPECIFICATIONS

Max Pressure(PSI/BAR)	4,000 / 276
Min Pressure(PSI/BAR)	1,500 / 104
Max Flow Rate(GPM/LPM)	4.0 / 15.0
Max Temperature(°F/°C)	140 / 60

## IMPORTANT SAFETY INFORMATION

### ⚠ WARNING

Read and understand all instructions. Failure to follow all instructions may result in serious injury or property damage.

- The warnings, cautions, and instructions in this manual cannot cover all possible conditions or situations that could occur. Exercise common sense and caution when using this tool.

Always be aware of the environment and ensure that the tool is used in a safe and responsible manner.

- Do not allow persons to operate or assemble the product until they have read this manual and have developed a thorough understanding of how it works.

- Do not modify this product in any way. Unauthorized modification may impair the function and/or safety and could affect the life of the product. There are specific applications for which the product was designed.

- Use the right tool for the job. DO NOT attempt to force small equipment to do the work of larger industrial equipment. There are certain applications for which this equipment was designed. It will do the job better and more safely at the capacity for which it was intended. DO NOT use this equipment for a purpose for which it was not intended.

## WORK AREA SAFETY

- Inspect the work area before each use. Keep work area clean, dry, free of clutter, and well lit. Cluttered, wet, or dark work areas can result in injury. Using the product in confined work areas may put you dangerously close to other cutting tools and rotating parts.
- Do not use the product where there is a risk of causing a fire or an explosion; e.g., in the presence of flammable liquids, gases, or dust. The product can create sparks, which may ignite the flammable liquids, gases, or dust.
- Do not allow the product to come into contact with an electrical source. The tool is not insulated and contact will cause electrical shock.
- Keep children and bystanders away from the work area while operating the tool. Do not allow children to handle the product.
- Be aware of all power lines, electrical circuits, water pipes, and other mechanical hazards in your work area. Some of these hazards may be hidden from your view and may cause personal injury and/or property damage if contacted.

## PERSONAL SAFETY

- Stay alert, watch what you are doing, and use common sense when operating the tool. Do not use the tool while you are tired or under the influence of drugs, alcohol, or medication. A moment of inattention while operating the tool may result in serious personal injury.
- Dress properly. Do not wear loose clothing, dangling objects, or jewelry. Keep your hair, clothing and gloves away from moving parts. Loose clothes, jewelry, or long hair can be caught in moving parts. Air vents on the tool often cover moving parts and should be avoided.
- Wear the proper personal protective equipment when necessary. Use ANSI Z87.1 compliant safety goggles (not safety glasses) with side shields, or when needed, a face shield. Use a dust mask in dusty work conditions. Also use non-skid safety shoes, hardhat, gloves, dust collection systems, and hearing protection when appropriate. This applies to all persons in the work area.
- Do not overreach. Keep proper footing and balance at all times.
- Do not use the tool when tired or under the influence of drugs, alcohol or medication.
- Remove keys or wrenches before connecting the tool to an air supply, power supply, or turning on the tool. A wrench or key that is left attached to a rotating part of the tool may cause personal injury.
- Secure the work with clamps or a vise instead of your hand when practical. This safety precaution allows for proper tool operation using both hands.

## CLEANER USE AND CARE

- Do not force the cleaner. Tools do a better and safer job when used in the manner for which they are designed. Plan your work, and use the correct tool for the job.
- Check for damaged parts before each use and before connecting the cleaner to a pressure washer. Carefully check that the cleaner will operate properly and perform its intended function. Replace damaged or worn parts immediately. Never operate the cleaner with a damaged part.
- Store the cleaner when it is not in use. Store it in a dry, secure place out of the reach of children. Inspect the cleaner for good working condition prior to storage and again before re-use.
- Use only replacement parts that are recommended by the distributor. Parts that may be suitable for one cleaner may create a risk of injury when used with another cleaner. Never use a part that has a lower operating pressure than the cleaner itself.
- Do not leave the cleaner unattended when it is pressurized.
- Do not turn the cleaner over when it is pressurized by connection to an operating pressure washer to avoid high-pressure spraying water that could cause personal injury.

## SPECIFIC OPERATION WARNINGS

- DO NOT exceed the rated PSI capacity.
- Keep body parts clear of nozzle heads and away from skirt while operating machine.
- DO NOT lift machine from surface or point nozzle heads at people while operating.
- Wear the proper safety gear including ANSI Z87.1 approved safety glasses.
- Use only on hard level surfaces.
- No alterations shall be made to this product.
- Only attachments and/or adapters supplied by the manufacturer shall be used.
- Not for use by or around children.

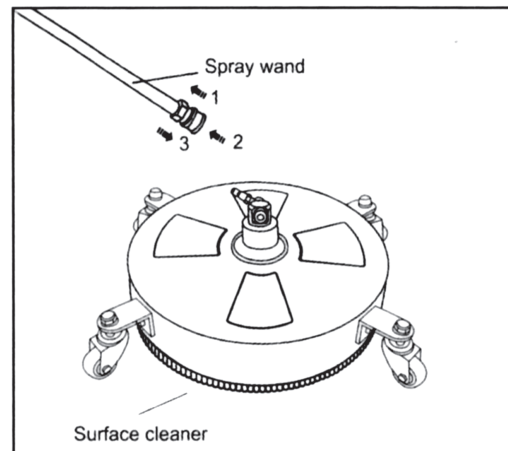
## PACKAGE LIST

- 2 x Pressure Washer Extension Wand
- 1 x Pressure Washer Surface Cleaner
- 3 x 0 Degree Spray Nozzle
- 1 x Operating Instruction
- 1 x Soft Towel (suitable for car washing)
- 2 x Replacement Nozzles
- 1 x Teflon Tape
- 2 x O-rings
- 1 x Nozzle Cleaner

## PREPARATION & OPERATION

### SET-UP

1. Pull back collar on quick-connect end of wand.
2. Push the surface cleaner into place.
3. Push the collar forward, insert surface cleaner and release collar. Ensure the collar slides all the way forward. Tug on surface cleaner to make sure it is securely in place.



### SURFACE PREPARATION

1. Clear any loose debris from the area to be cleaned.
2. Never attempt to clean surface with objects that protrude from the surface being cleaned. Striking any raised obstacle during operation will damage machine. If contact does occur and results in vibration when operating machine, STOP cleaning and check the spray bar.

## **START-UP**

1. Ensure all connections are secure.
2. Unlock the trigger gun and squeeze the trigger while starting the Pressure Washer.
3. Water will begin flowing from the nozzles of the Surface Cleaner. Ensure nozzles are not clogged and spray pattern is not erratic.
4. Walk slowly behind the unit, cleaning as you go. If striping occurs, slow down the pace. Do not allow machine to remain stationary on soft surfaces such as wood.



## **SHUT-DOWN**

1. Turn the Pressure Washer off.
2. Turn the water supply off.
3. Squeeze the trigger gun to relieve water pressure.
4. Disconnect pressure washer handle and wipe down unit. Store the unit in a dry environment.

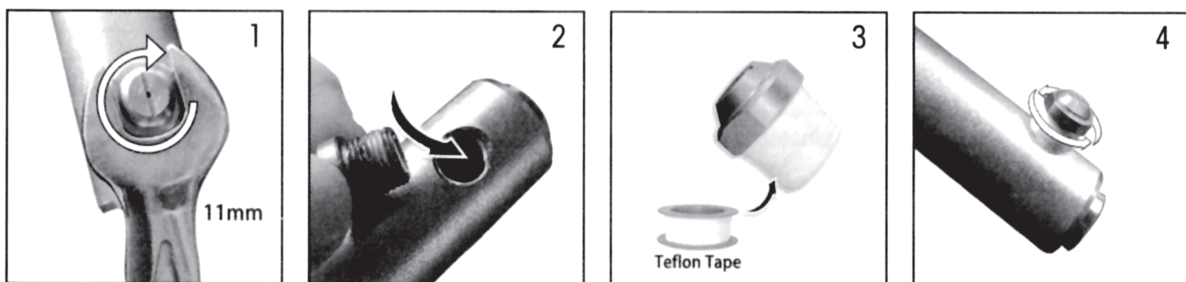
## **AFTER EACH USE**

Perform the following inspections after each use to clean the cleaner and ready it for the next use.

- Clean out any dirt or foreign material from under the housing and the casters. If necessary, use a cloth or sponge to wash the surface cleaner and rinse it with tap water.
- Check for loose parts and any damage.

## NOOZLE CLEANING & REPLACEMENT

- 1.Remove the nozzle with appropriate wrench (11 mm) .
  - 2.Rinse holes with fresh water to clean impurity.
  - 3.Cover nozzles thread with attached teflon tape.
  - 4.Align the nozzle opening, reinstall nozzles to the spray bar.Tighten securely.
- Note:If the nozzle is difficult to remove,please heat it with a hot blower before removing.



## TOP MAINTENANCE

If the pivot connection leaks,please change the o-rings.

Please refer to the following steps:

- 1.Remove the screw from the body by using a 5 mm hex wrench.
- 2.Replace the original broken o-ring with new o-rings.
- 3.Reinstall the screw by using a 5 mm hex wrench.





TROUBLESHOOTING		
PROBLEM	PROBABLE CAUSE	CORRECTIVE ACTION
Missing parts	Damaged package	Contact our Customer Service for help
Inadequate cleaning power	Not enough PSI from pressure washer	Ensure unit produces a minimum pressure washer 1,500 PSI
	Nozzle obstructed or worn	Clean or replace the nozzles
Spray bar will not rotate	Defective, snap ring dislodged	Do not use! Contact our Customer Service for help
	Unstable connection, the spray bar fell off	
	Seal malfunction, water shooting from swivel	
Excessive vibration of surface cleaner	Nozzle clogged	Clean or replace the nozzles
Streaked cleaning pattern	Nozzle clogged	Clean or replace the nozzles
	Cleaning too fast	Slow down pace
Top leaks	The o-ring is broken	Please refer to page 8

***Use this table to solve the problems. If the problem continues, please Email us:***